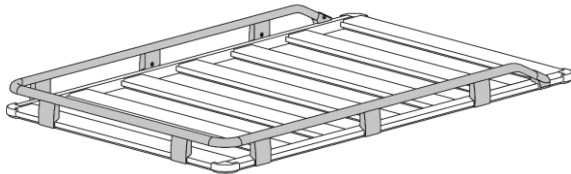


ARB **BASE RACK**

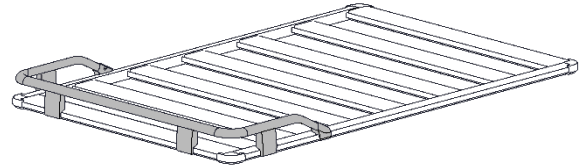
FITTING INSTRUCTION

BASE RACK GUARD RAIL SYSTEM

3/4 RAIL KIT



1/4 RAIL KIT



NOTE THE FOLLOWING:

- ◆ This product must be installed exactly as per these instructions using only the hardware supplied.
- ◆ For fitment to ARB BASE RACK only, refer to application guide for relevant part numbers
- ◆ This product or its fixing must not be modified in any way.
- ◆ It is recommended that this product is only installed by trained personnel
- ◆ Fitting Guard Rails to BASE RACK prior to vehicle installation may aid assembly
- ◆ During installation, it is the duty of the installer to check correct operation/clearances of all components
- ◆ Work safely at all times
- ◆ Unless otherwise instructed, tighten fasteners to specified torque
- ◆ Fastener torques are to be checked after first 500km and at vehicle service intervals
- ◆ Guard rails are not a rated tie down point. Do not use guard rails for lashing loads

ARB 4x4 ACCESSORIES

Corporate Head Office

42-44 Garden St
Kilsyth, Victoria
AUSTRALIA 3137

Tel: +61 (3) 9761 6622
Fax: +61 (3) 9761 6807

Australian enquiries
North & South American enquiries
Other international enquiries

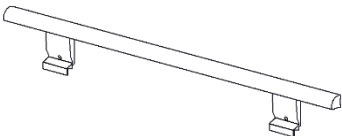
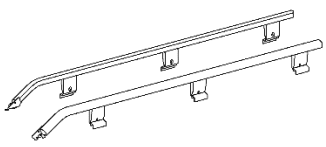




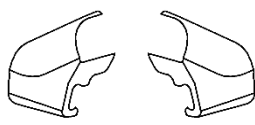






sales@arb.com.au
sales@arbusa.com
exports@arb.com.au

www.arb.com.au

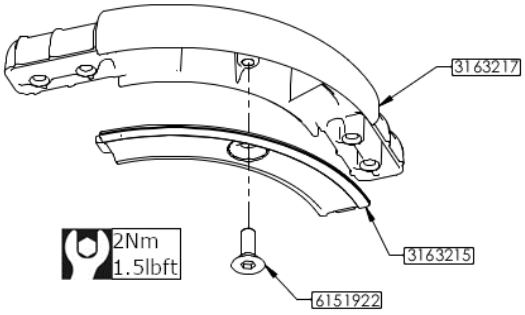
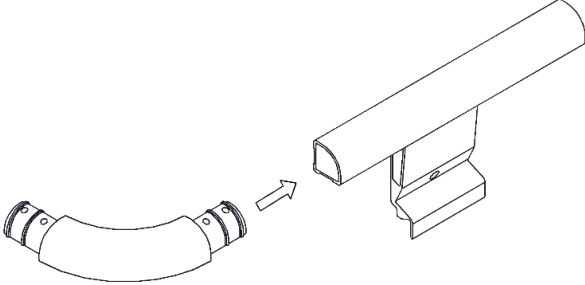
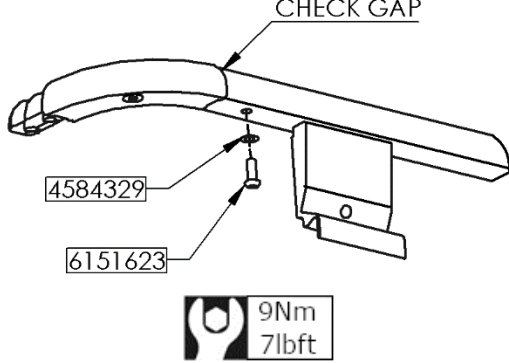
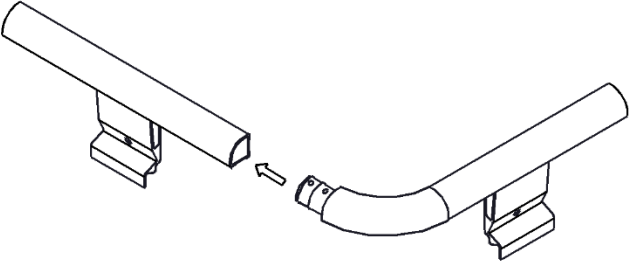
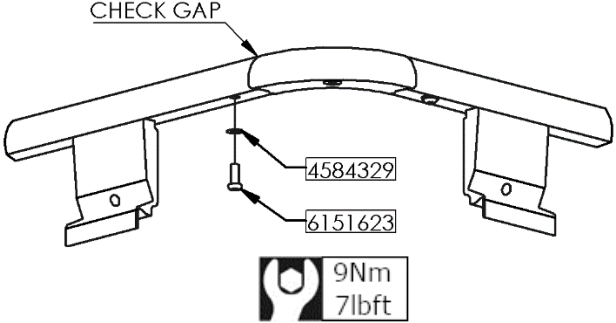
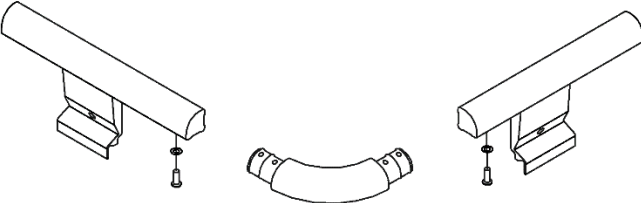
FITTING REQUIREMENTS

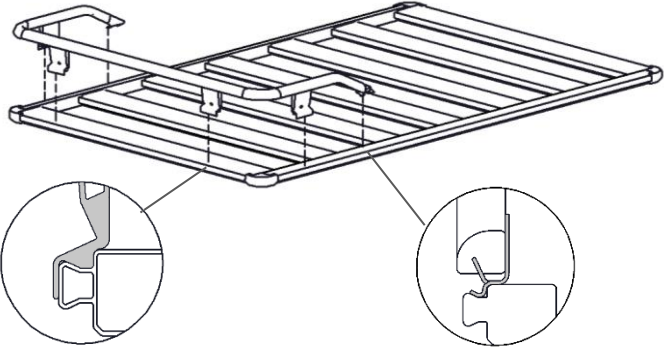
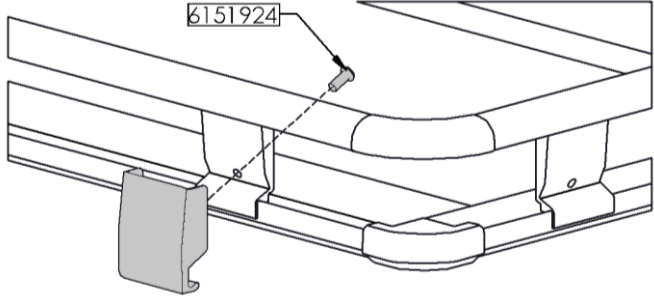

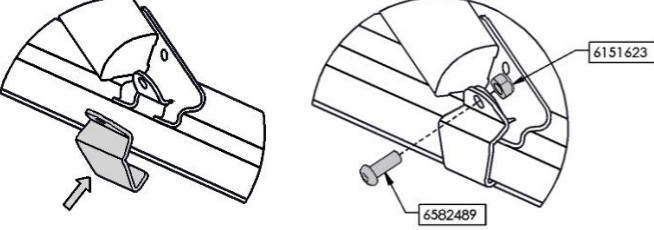

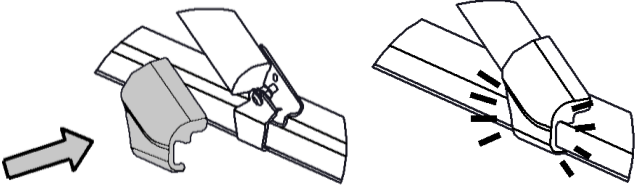
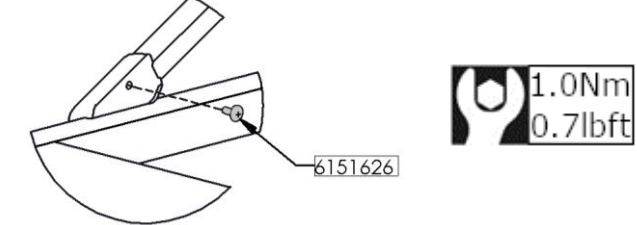

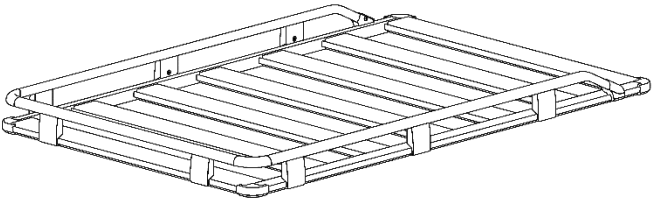
REQUIRED TOOLS FOR FITMENT OF PRODUCT:

4mm Hex/Allen key	Screwdriver Phillips #2
T30 Torx (provided)	10mm Spanner/Wrench
T40 Torx (provided with rack fit kit)	

APPLICATION.	PART NO.	QTY.	DESCRIPTION
	-	1	Cross Rail Assembly
	-	1R/1L	Side Rail Right/Left (Pair)
	3163217	2	Corner Casting
	3163215	2	Corner Blank Cap
	6582491	4 or 8	Cast Upright Clamp
	6582489	2	Clamping Bracket
	3163213R/L (PAIR)	1R/1L	Cover Cap Right/Left
	6151924	4 or 8	Torx Screw M8x20mm Black Yellow Patch
	6151623	6	Torx Screw M6x16mm Black Blue Patch
	6151223	2	Nyloc Nut M6 Black
	4584329	4	Washer M6x12mm Black
	6151626	2	Screw Self-tapping 4.8(#10)x16mm
	6151922	2	Screw M6x16mm Countersunk

FITTING PROCEDURE

 <p>2Nm 1.5lbf</p>	<ol style="list-style-type: none"> Secure the corner blank cap to the corner castings with M6x16 countersunk screw Repeat for all corners
	<ol style="list-style-type: none"> Insert corner casting into side rail as shown <p>Hint: The casting is a tight fit It may be necessary to lubricate ribs to ease fitment</p>
 <p>CHECK GAP</p> <p>4584329</p> <p>6151623</p> <p>9Nm 7lbf</p>	<ol style="list-style-type: none"> Check the gap is closed between the rail and casting Secure the corner with M6x16 Torx screw and washer
	<ol style="list-style-type: none"> Insert the side rail assembly into the cross rail as shown <p>Hint: The casting is a tight fit It may be necessary to lubricate ribs to ease fitment</p>
 <p>CHECK GAP</p> <p>4584329</p> <p>6151623</p> <p>9Nm 7lbf</p>	<ol style="list-style-type: none"> Check the gap is closed between the rail and casting Secure the corner with M6x16 Torx screw and washer
	<ol style="list-style-type: none"> Repeat steps 3-8 for the opposite corner

	<p>10. With the help of a second person, lower rails on to the rack</p> <p>11. Ensure the uprights and end brackets are locked in to the BASE RACK dovetail as shown</p>
 <p style="text-align: center;"> 22Nm 16lbft</p>	<p>12. Fit cast clamp over upright. Secure with an M8x20 Torx screw</p> <p>13. Repeat for all uprights</p>
 <p style="text-align: center;"> 9Nm 7lbft</p>	<p>14. Fit the clamping bracket over the rack and end bracket</p> <p>15. Secure with M6x16 Torx screw and M6 Nut</p>
	<p>16. Snap fit the cover cap</p>
 <p style="text-align: center;"> 1.0Nm 0.7lbft</p>	<p>17. Secure the cover cap with self-tapping screw</p> <p>18. Repeat steps 14-17 for 2nd cap</p>
	<p>19. Check all fastener torques, check the roof is clean and clear of parts</p> <p>20. Place fitting instructions in safe location for future reference</p>